



Rocker Switch NRS 1010 Series



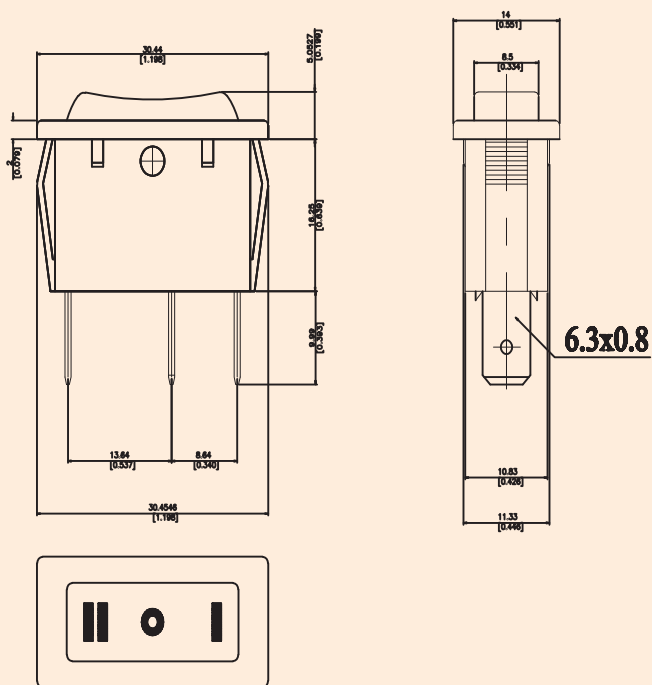
MATERIALS

- Housing : Polyamide (Nylon 66)
- Rocker : Polyamide (Nylon 66)
- Contacts : Silver alloy / Cu alloy
- Terminal : Cu Alloy Silver / Tin plated
- Movable Arm : Cu Alloy, Silver/ Tin Plated

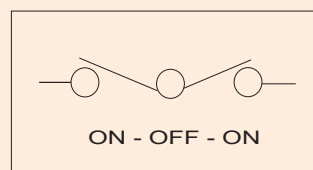
TECHNICAL INFORMATION

- Electrical Rating : 10A 250VAC/15A 125VAC(UL)
6A 250VAC/9A 125V AC, 12V/24V DC
- Degree of protect: Ip 40
- Mechanical life: Over 30000 cycles
- Electrical life: Over 10000 cycles
- Contact resistance: <10m ohm
- Insulation resistance: >20M ohm
- High voltage resistance: >1500V 1 min.
- Ambient temperature: -0°C to +85°C
- Atmospheric humidity: Max.85%
- Temperature rise at the terminal: Max 30°C (UL1054)
- Solder ability of terminal: Max 350°C,3s

DIMENSIONS

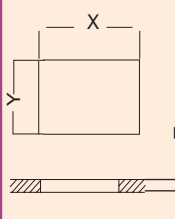


CIRCUIT DIAGRAM

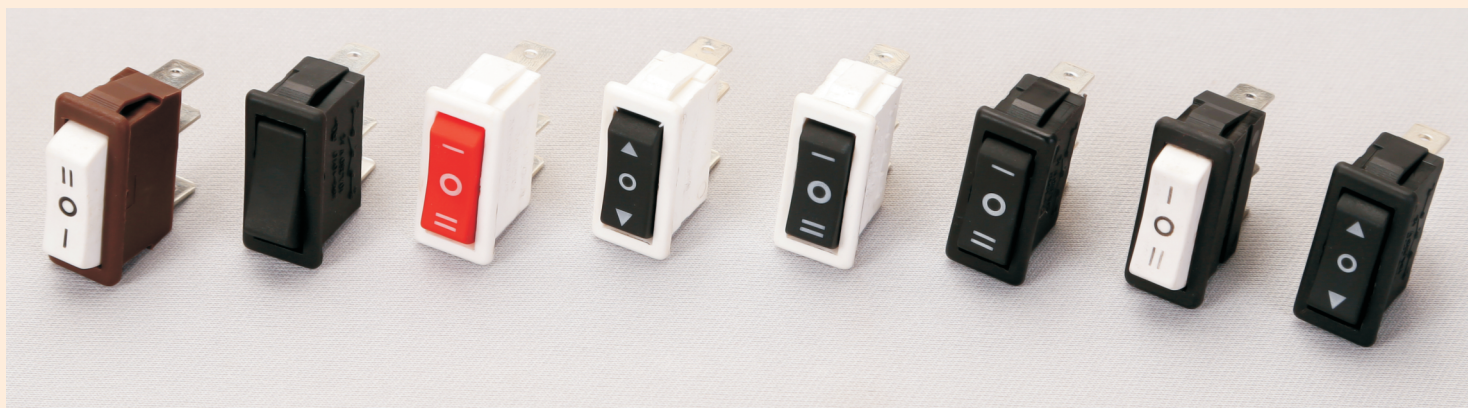


- Current rating : 10A, 250VAC/15A 125VAC(UL)
6A 250VAC/9A 125V AC, 12V/24V DC
- Function : S1,S2,S3, D1, D2, C1,C2,C3,
- Type : NI (Non Illuminated)
- Cut out Size : 11.5 mm X 28.20 mm

PANEL CUT OUT



Panel Thickness z (mm)	X (mm)	Y (mm)
0.70~1.25	11.50	28.20
1.25~2.00	11.50	28.40
2.00~3.00	11.50	28.60



NRS 1010